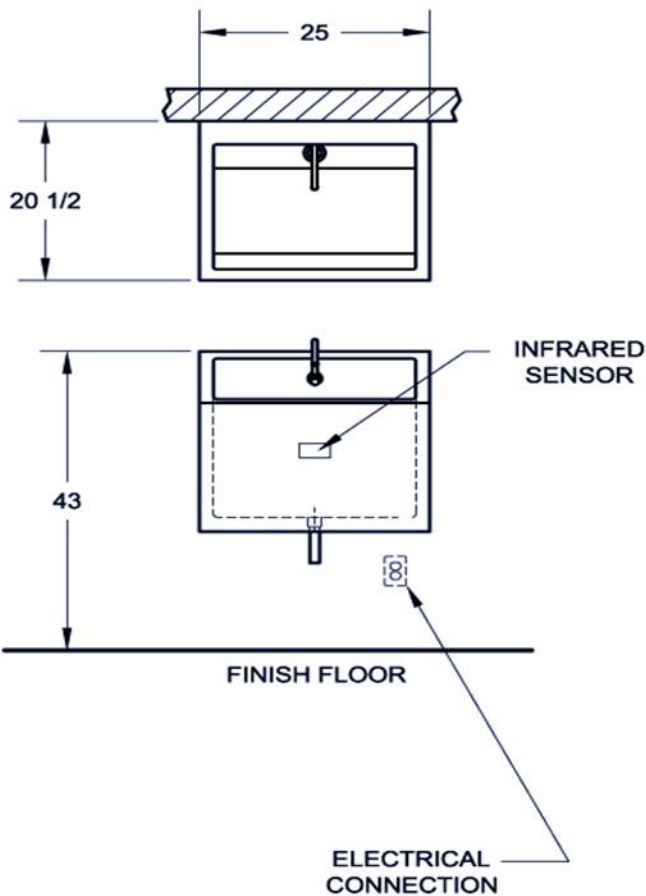
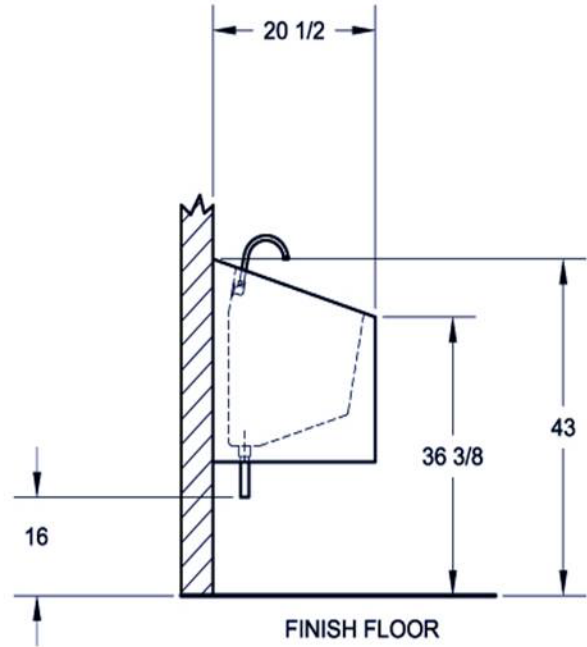
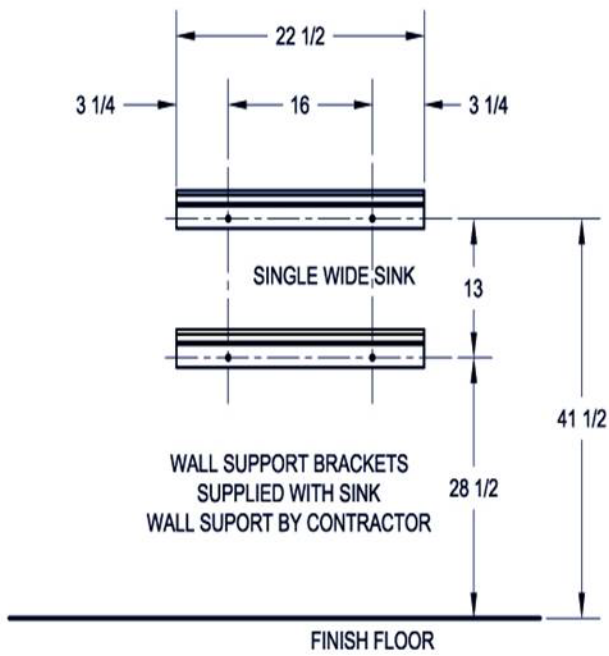


# ES25 Sink Drawing



Future Health Concepts  
 1211 E. 30th Street  
 Sanford, FL 32773

(800) 282-8644  
 (407) 322-3871 Fax  
 (407) 322-3672  
 Sales@fhcusa.com  
 Website: fhcusa.com