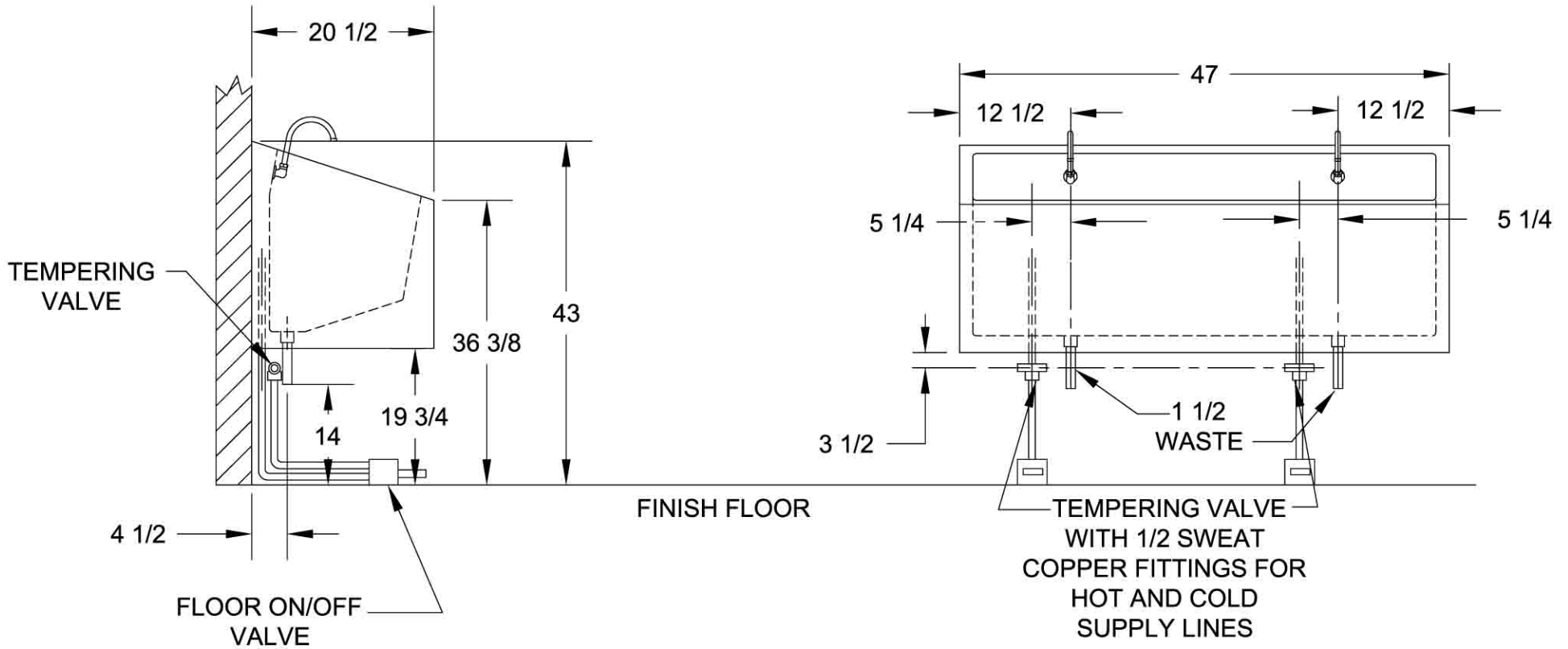




FUTURE HEALTH CONCEPTS, INC
1211 E. 30TH ST
SANFORD, FL 32773
(800) 282-8644 TOLL FREE
(407) 322-3871 FAX
WWW.FHCUSA.COM





FUTURE HEALTH CONCEPTS, INC
1211 E. 30TH ST
SANFORD, FL 32773
(800) 282-8644 TOLL FREE
(407) 322-3871 FAX
WWW.FHCUSA.COM

