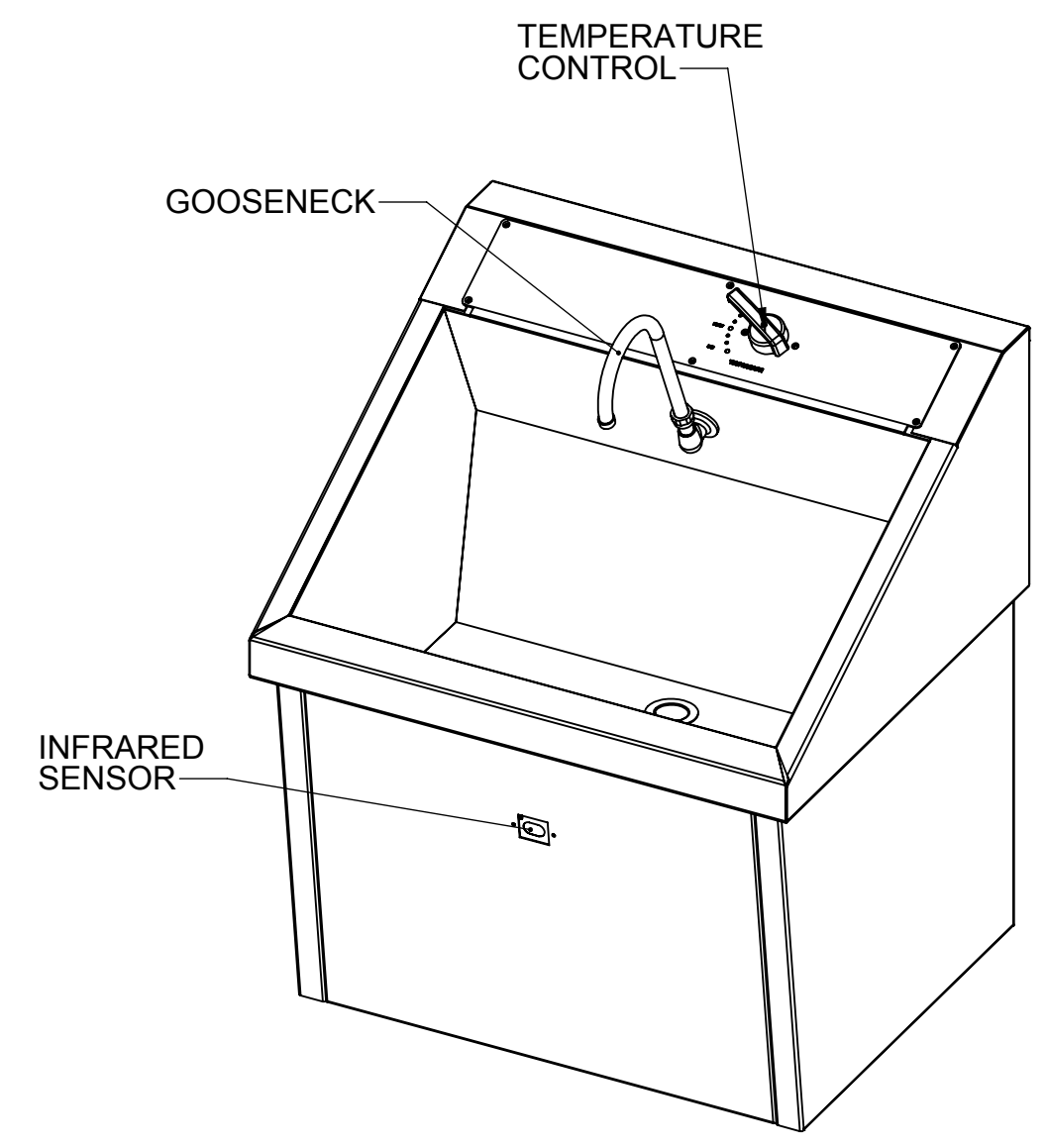
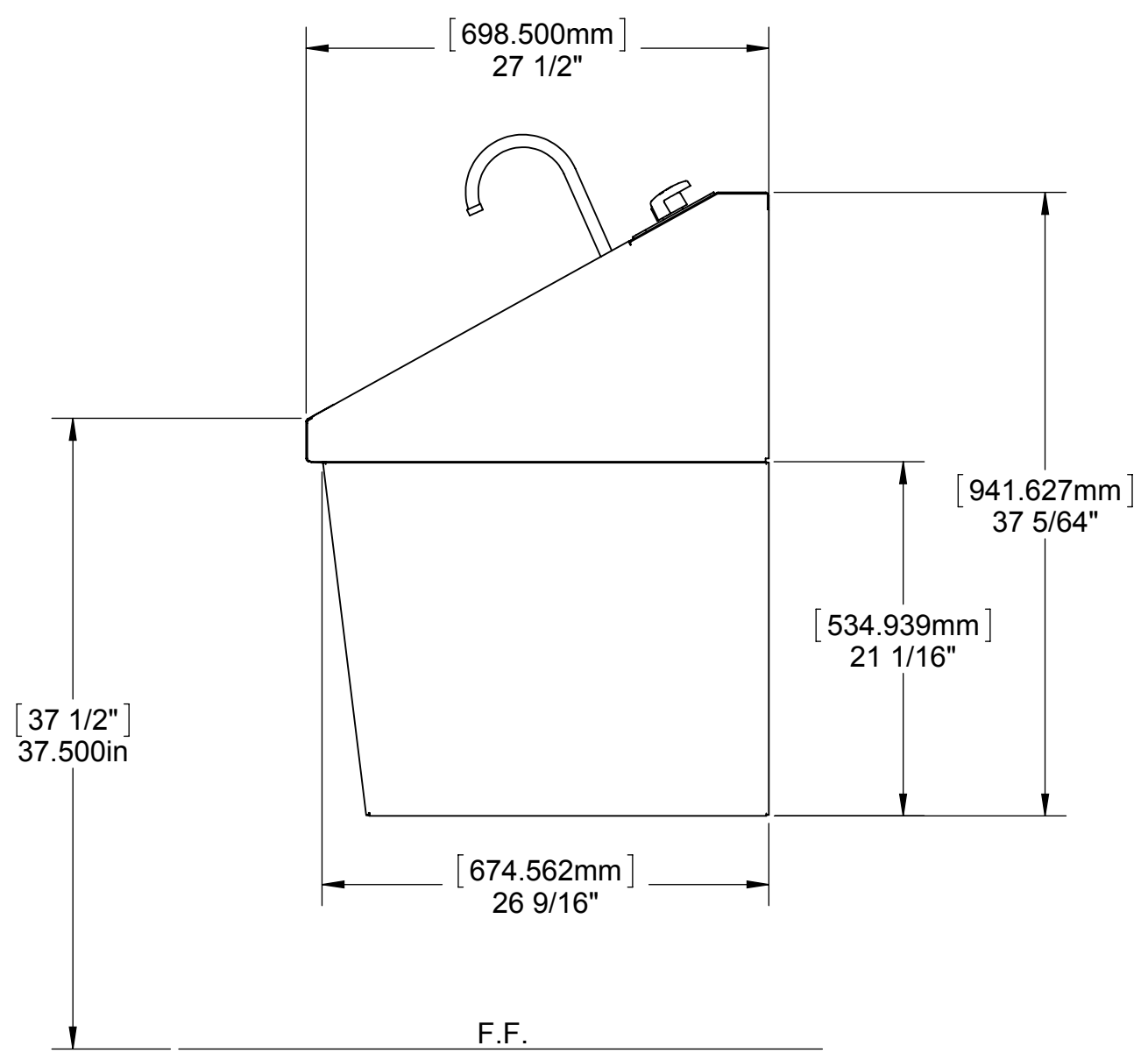
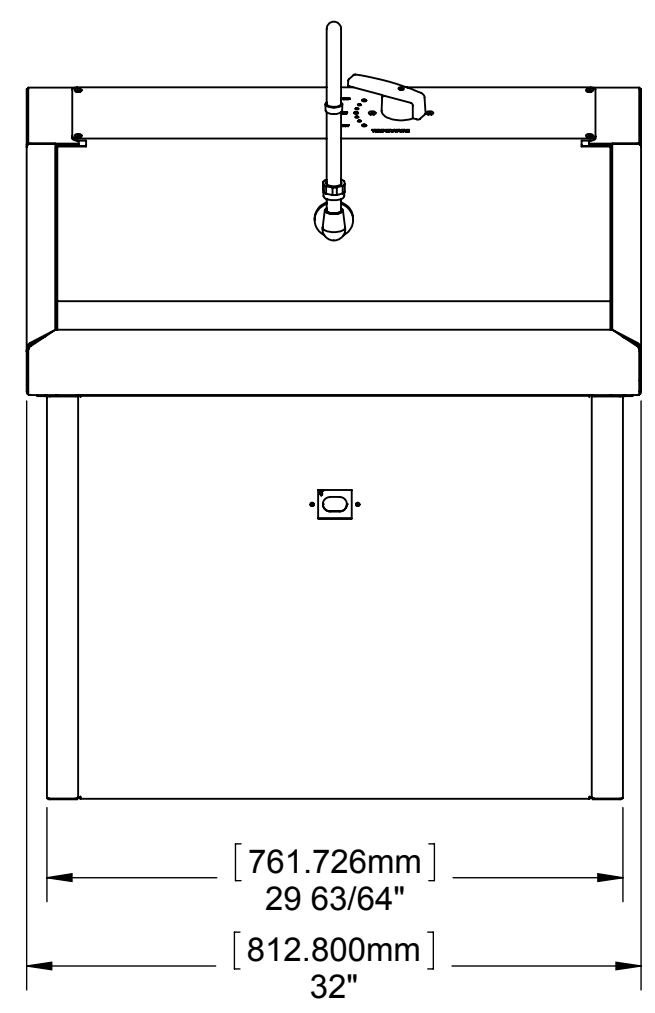
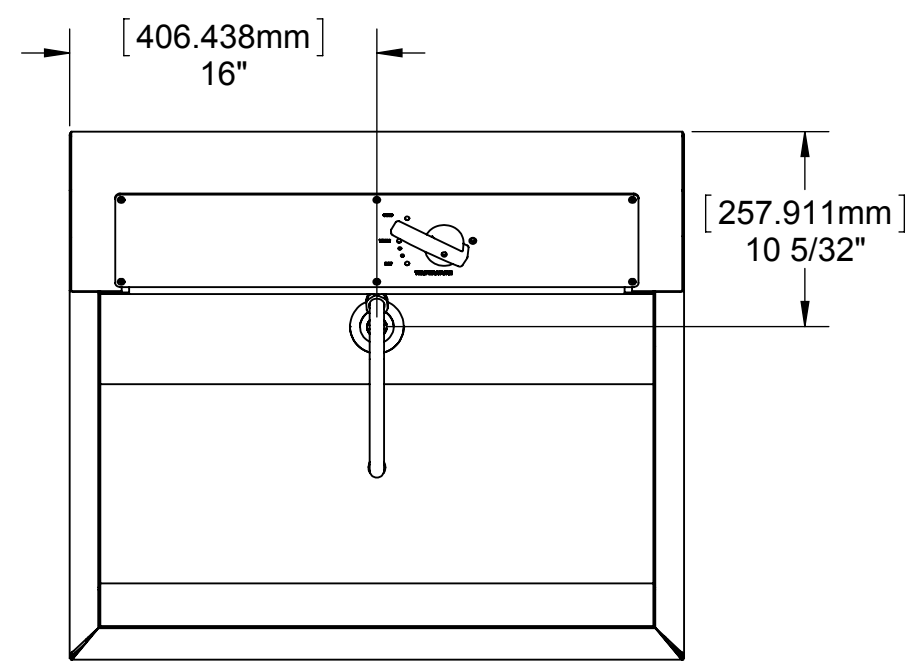


Design Approval- ALL CUSTOM DESIGNS ARE NON-CANCELLABLE AND NON-RETURNABLE. This endorsed approval drawing must be received in order to release your order for production. By signing, you certify your approval in the following areas:

-Overall Dimensions -Hardware (fixtures, casters, accessories)
 -Material -Delivery Access (will it fit through doors)
 -Construction and Design -Facility Integration (rough in alignment, etc)

Approval Signature _____ Date: _____
 Print Name and Title _____
 (Signature, Date, Printed Name & Title are all required)



AA	CUSTOMER APPROVAL	L.ADKISSON	11/07/2012
REV.	DESCRIPTION	CHANGED BY:	DATE
	REVISIONS		

- NOTES:
- FULLY WELDED 300 SERIES STAINLESS STEEL CONSTRUCTION
 - INFRARED SENSORS

ANY PHYSICAL, DIMENSIONAL OR PERFORMANCE SPECIFICATIONS SHALL NOT BE REVISED WITHOUT WRITTEN AUTHORIZATION FROM FHC


THIRD ANGLE PROJECTION INCHES

CRITICAL TO QUALITY Weight (pounds)
 98.196

TITLE
SCRUB SINK W/ INFRARED SENSOR

TOLERANCES UNLESS OTHERWISE SPECIFIED

ANGLES: ±1° DECIMALS .XX = ± .030
 FRACTIONS: ± 1/64 .XXX = ± .015
 .XXXX = ± .005

 DRAWN BY L.ADKISSON DATE 07/26/2013
 CHECKED BY DATE

SCALE 1:10 SHEET 1 OF 1

DRAWING NUMBER
FHCSS32-IR

CONFIDENTIAL & PROPRIETARY TO FUTURE HEALTH CONCEPT NOT TO BE COPIED OR SHOWN TO ANYONE WITHOUT THE EXPRESS PERMISSION OF FHC