

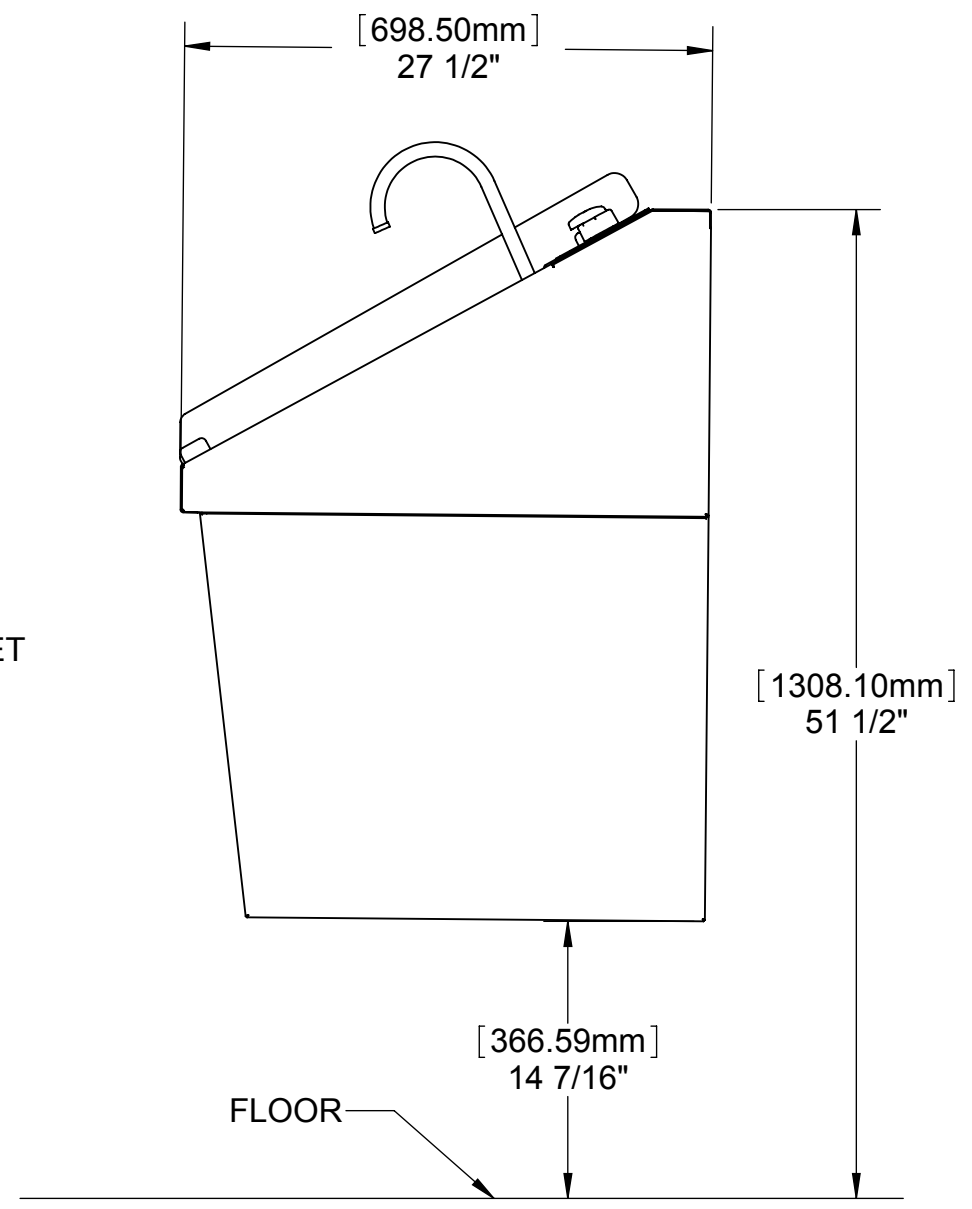
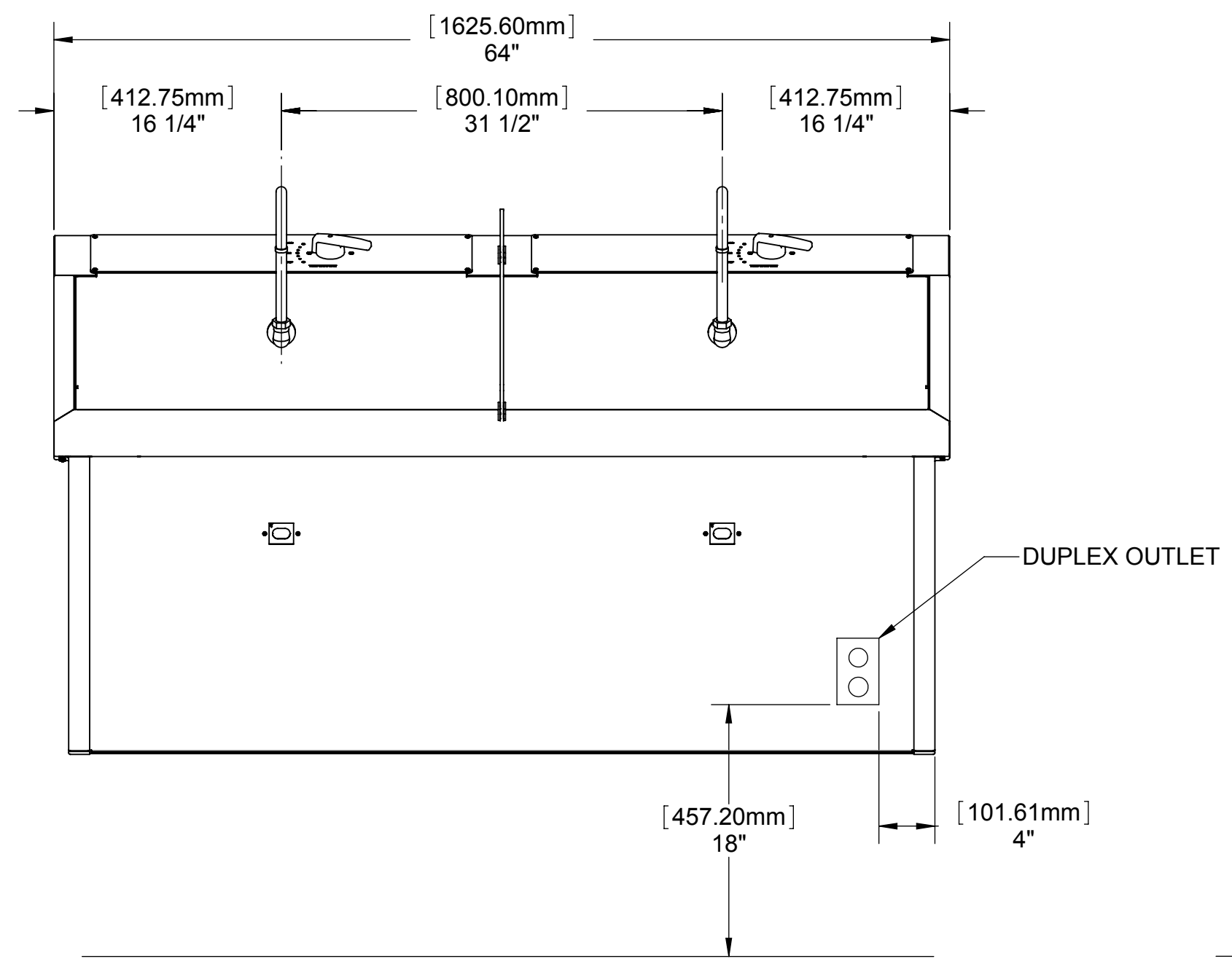
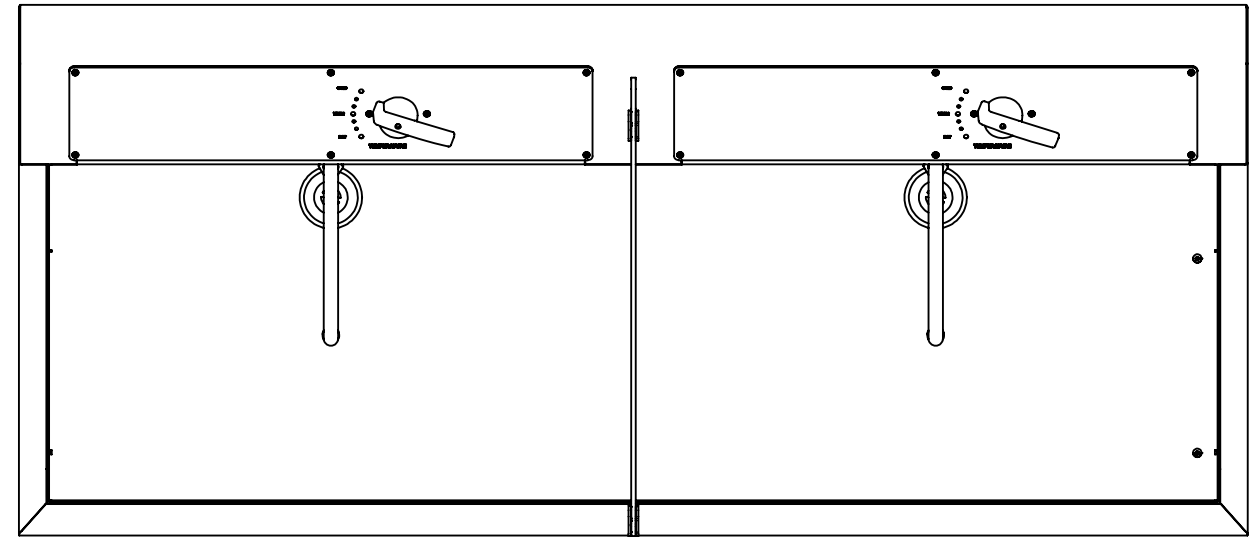
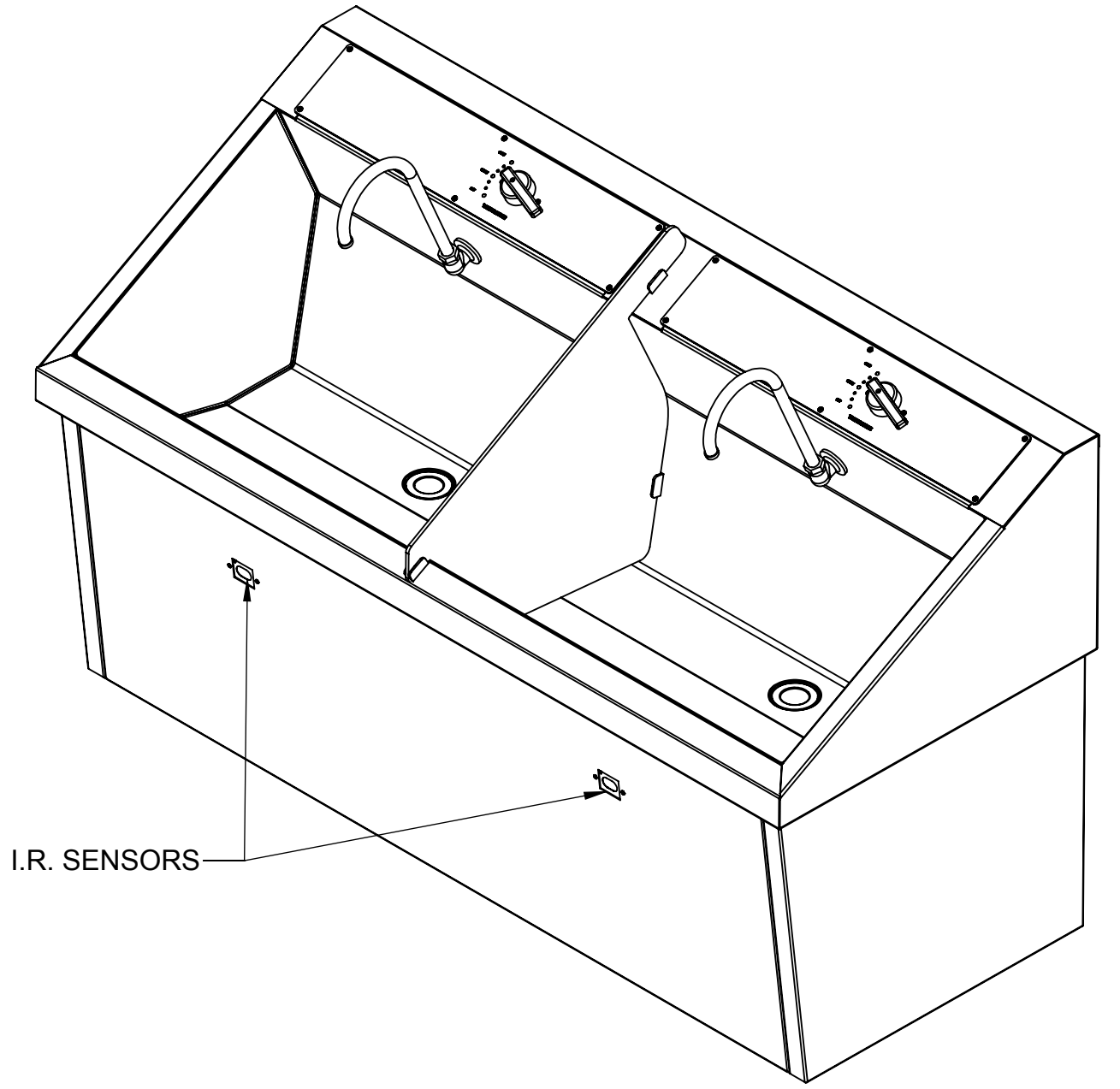
Design Approval- ALL CUSTOM DESIGNS ARE NON-CANCELLABLE AND NON-RETURNABLE. This endorsed approval drawing must be received in order to release your order for production. By signing, you certify your approval in the following areas:

- Overall Dimensions
- Material
- Construction and Design
- Hardware (fixtures, casters, accessories)
- Delivery Access (will it fit through doors)
- Facility Integration (rough in alignment, etc)

Approval Signature _____ Date: _____

Print Name and _____ Title _____

(Signature, Date, Printed Name & Title are all required)



ANY PHYSICAL, DIMENSIONAL OR PERFORMANCE SPECIFICATIONS SHALL NOT BE REVISED WITHOUT WRITTEN AUTHORIZATION FROM FHC

THIRD ANGLE PROJECTION	INCHES
CRITICAL TO QUALITY	Weight (pounds)

TITLE
DUAL SINK W/IR

TOLERANCES UNLESS OTHERWISE SPECIFIED

ANGLES: ±1°
FRACTIONS: ± 1/64

DECIMALS .XX = ± .030
.XXX = ± .015
.XXXX = ± .005

	DRAWN BY L.ADKISSON	DATE 07/26/2013
	CHECKED BY	DATE
	SCALE 1:12	SHEET 1 OF 1

DRAWING NUMBER
FHCSS64-IR

CONFIDENTIAL & PROPRIETARY TO FUTURE HEALTH CONCEPT NOT TO BE COPIED OR SHOWN TO ANYONE WITHOUT THE EXPRESS PERMISSION OF FHC

NOTES:
1. 300 SERIES STAINLESS STEEL CONSTRUCTION

REV.	DESCRIPTION	CHANGED BY:	DATE
AA	CUSTOMER APPROVAL	L.ADKISSON	07/26/2013
REVISIONS			